

TOCON_water_PTFE

Water Pressure Proof Housing with G1/4" Thread and Plug Connector

GENERAL FEATURES



Properties of the TOCON_water_PTFE

- Optional feature for all TOCON detectors without lens cap
- 7 – 24 V supply voltage
- Teflon (PTFE) G1/4" thread body, up to 10 bar water pressure proof
- Wide field of view
- EMC-safe
- Integrated sensor connector (Binder 5-Pin plug)
- Comes with 2 m connector cable
- Easy to mount and to connect, cleanable

The PTFE housing reduces the signal output by 90 - 99 %.

Features of the integrated TOCON amplified UV photodetectors

The TOCON devices are using modern hybrid technology to cancel unwanted signal disturbances caused by moisture or electromagnetic radiation. The stable 0...4.75 V output voltage can be directly connected to a SPC controller or a voltage multimeter. No amplifier is needed.

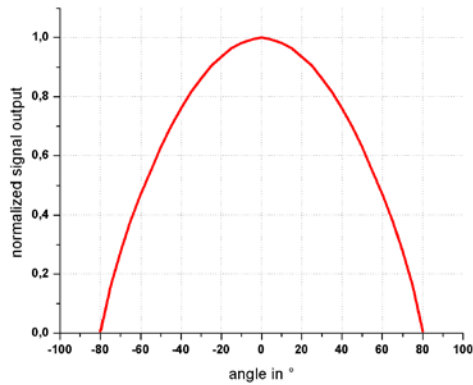
SPECIFICATIONS

Parameter	Symbol	Value	Unit
Spectral Characteristics		According to applied TOCON	
General Characteristics (T=25°C, V_{supply}=+7 V)			
Supply Voltage	V _{Supply}	7 ... 24	V
Max. Output Voltage (non depending on V _{supply})	V _{Out}	4.75	V
Temperature Coefficient at Peak for SiC	T _c	-0.3	%/K
Temperature Coefficient at Peak for GaP	T _c	-0.5	%/K
Current Consumption	I _{max}	According to applied TOCON	
Maximum Ratings			
Operating Temperature	T _{opt}	-25 ... +40	°C
Storage Temperature	T _{stor}	-40 ... +100	°C

TOCON_water_PTFE

Water Pressure Proof Housing with G1/4" Thread and Plug Connector

▶ FIELD OF VIEW

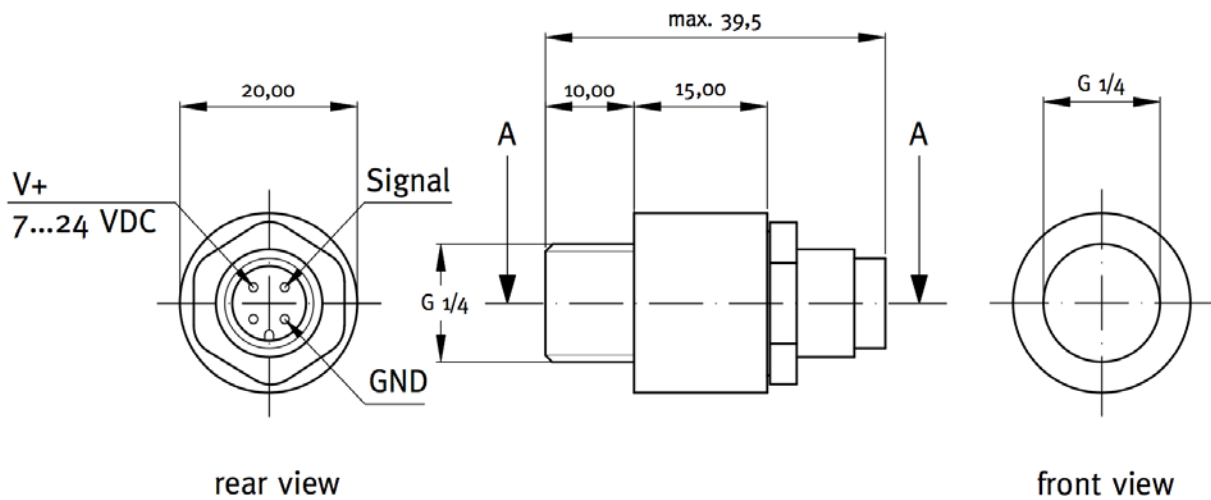


Measurement Setup:

lamp aperture diameter: 10 mm distance lamp aperture to second aperture: 17 mm second aperture diameter: 10 mm distance second aperture to detector: 93 mm

pivot level = top surface of the detector window

▶ DRAWING



cable configuration :
black : V+
white : ground
blue : signal